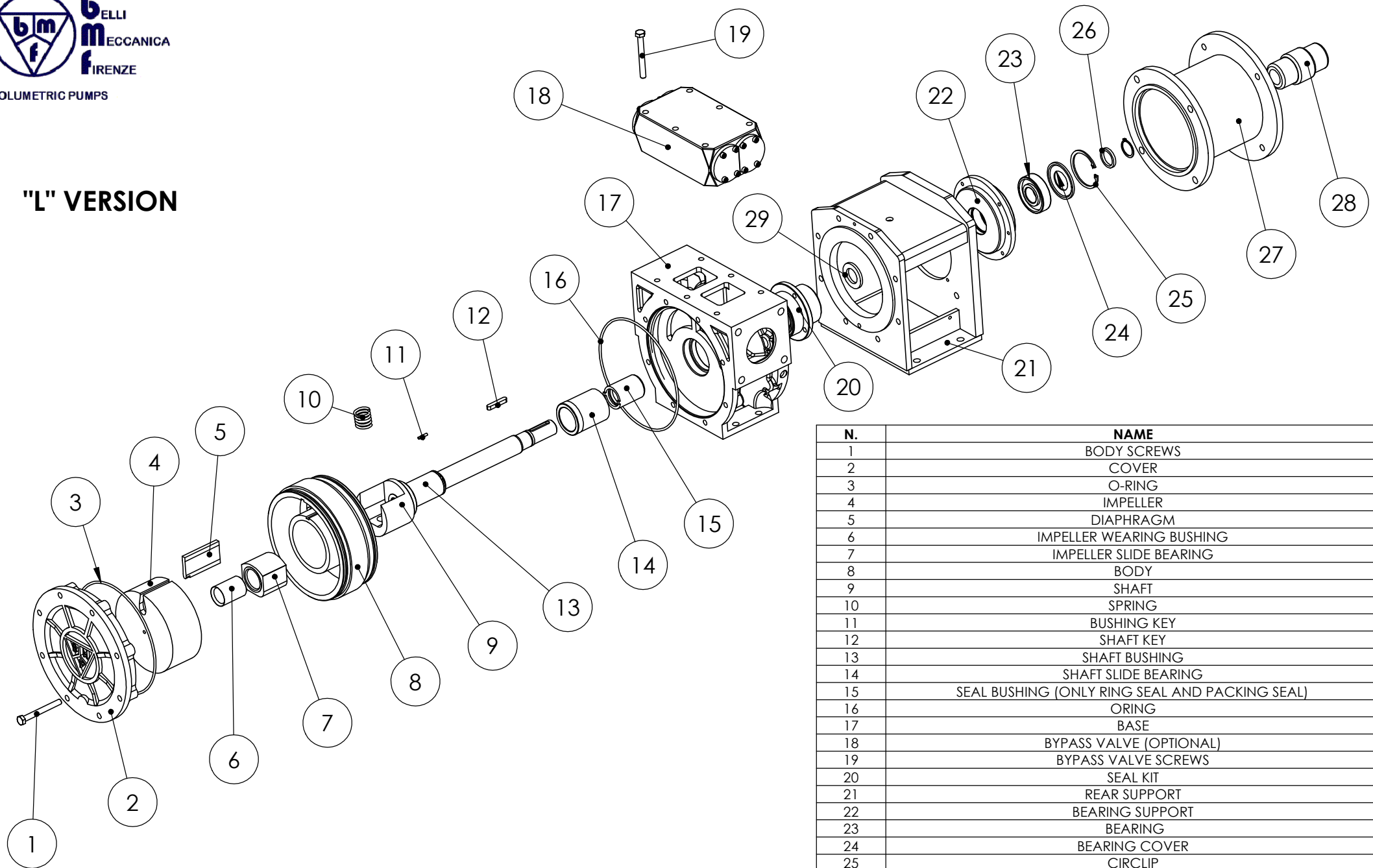


"L" VERSION



N.	NAME
1	BODY SCREWS
2	COVER
3	O-RING
4	IMPELLER
5	DIAPHRAGM
6	IMPELLER WEARING BUSHING
7	IMPELLER SLIDE BEARING
8	BODY
9	SHAFT
10	SPRING
11	BUSHING KEY
12	SHAFT KEY
13	SHAFT BUSHING
14	SHAFT SLIDE BEARING
15	SEAL BUSHING (ONLY RING SEAL AND PACKING SEAL)
16	ORING
17	BASE
18	BYPASS VALVE (OPTIONAL)
19	BYPASS VALVE SCREWS
20	SEAL KIT
21	REAR SUPPORT
22	BEARING SUPPORT
23	BEARING
24	BEARING COVER
25	CIRCLIP
26	SPACER RING
27	REAR CAN
28	COUPLING JOINT
29	OIL CATCHER